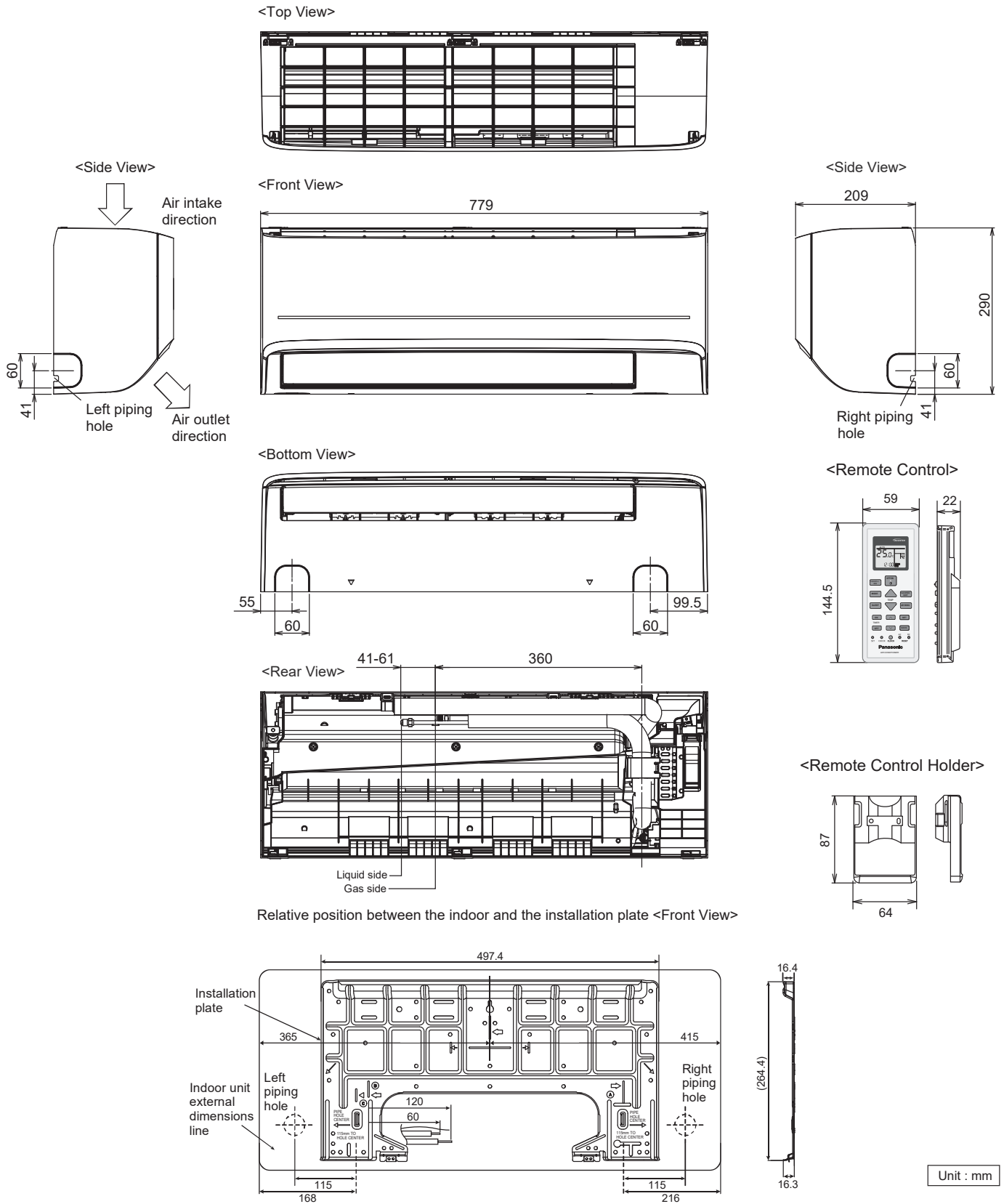


# Dimensions

## 1 Indoor Unit

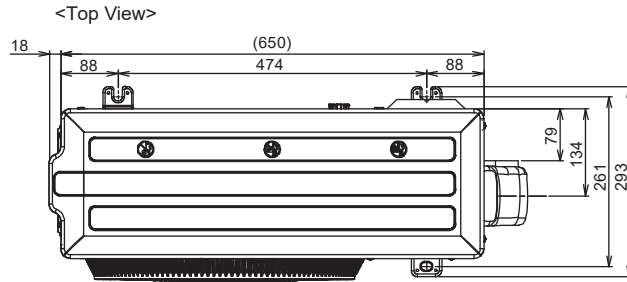
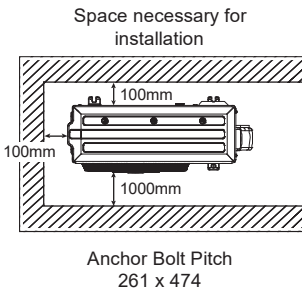
### 1.1 CS-QU9YKQ / CS-QU12YKQ / CS-QU18YKQ



Unit : mm

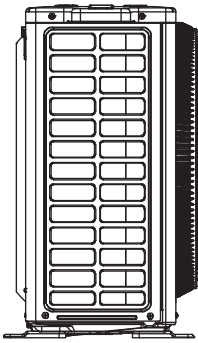
## 2 Outdoor Unit

### 2.1 CU-QU9YKQ

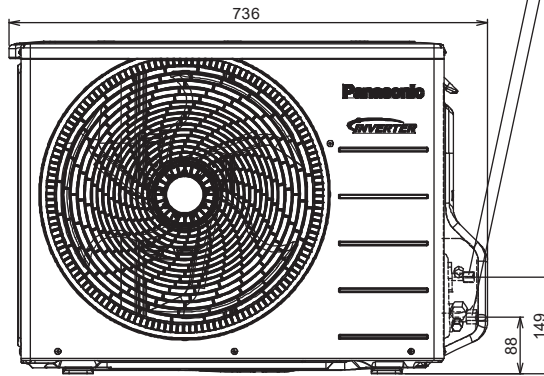


2-way valve at Liquid side  
(High Pressure)  
3-way valve at Gas side  
(Low Pressure)

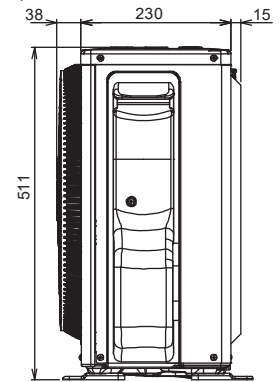
<Side View>



<Front View>

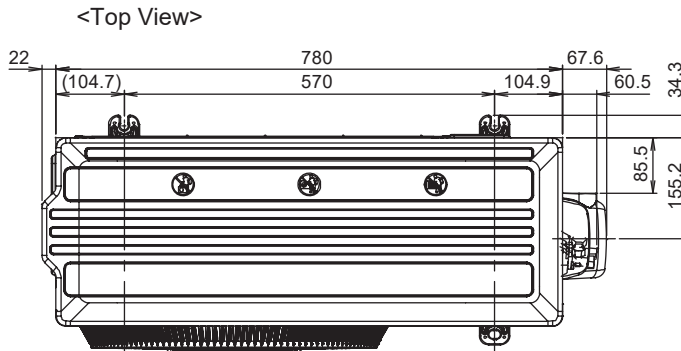
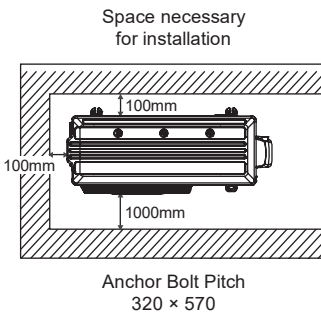


<Side View>



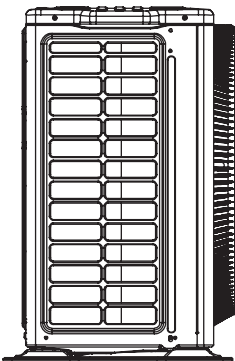
Unit : mm

### 2.2 CU-QU12YKQ

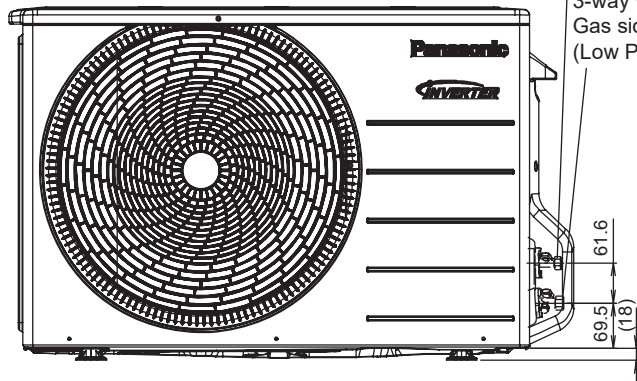


2-way valve at  
Liquid side  
(High Pressure)

<Side View>

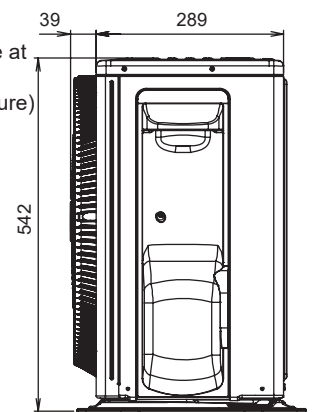


<Front View>



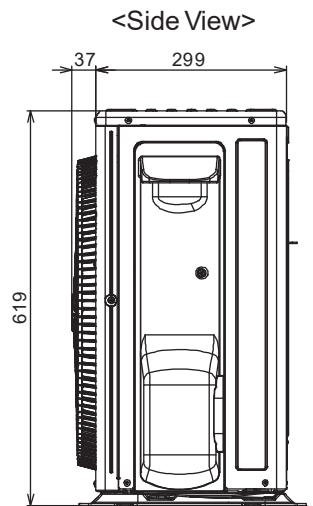
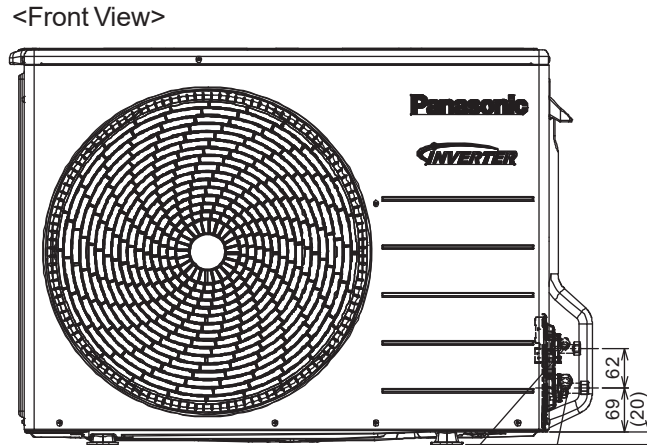
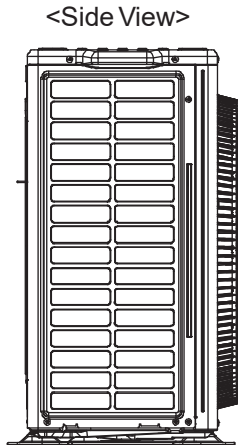
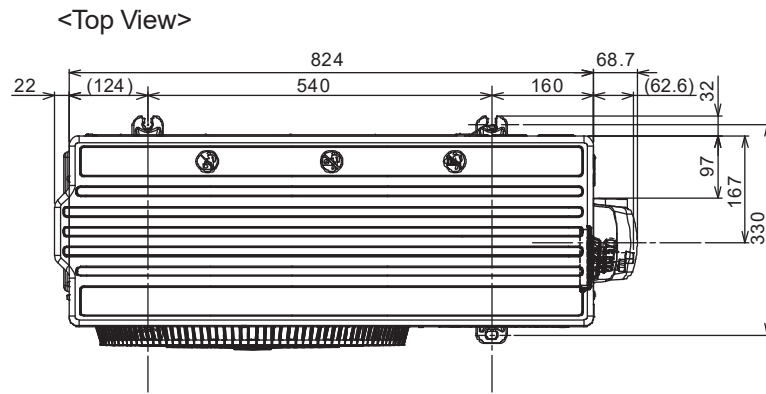
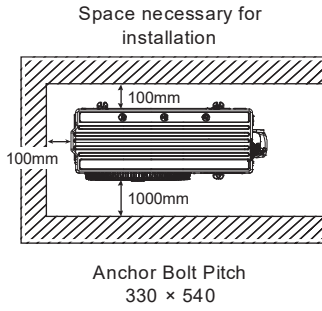
3-way valve at  
Gas side  
(Low Pressure)

<Side View>



Unit: mm

## 2.3 CU-QU18YKQ



Unit : mm

3-way valve at Gas side  
(Low Pressure)  
2-way valve at Liquid side  
(High Pressure)